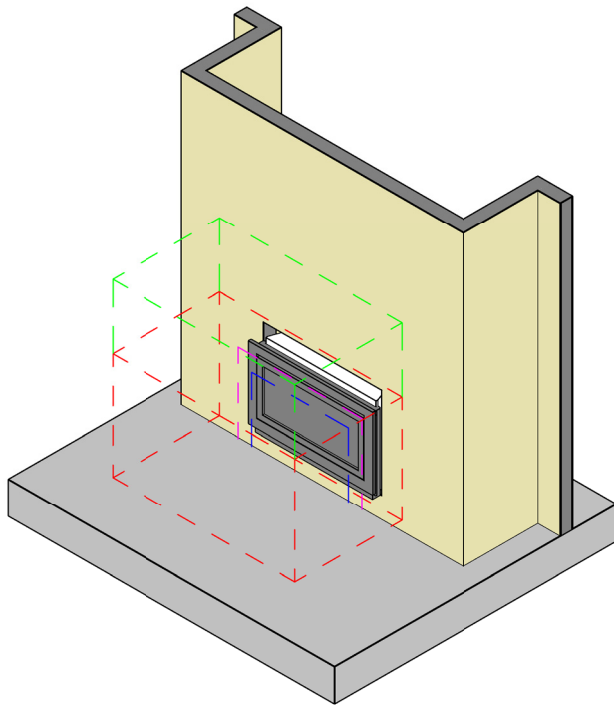
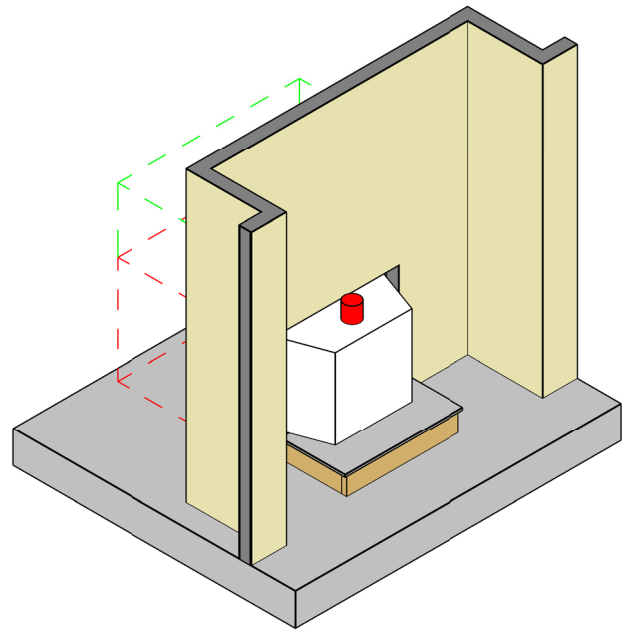


Plan View



Isometric View Front



Isometric View Back