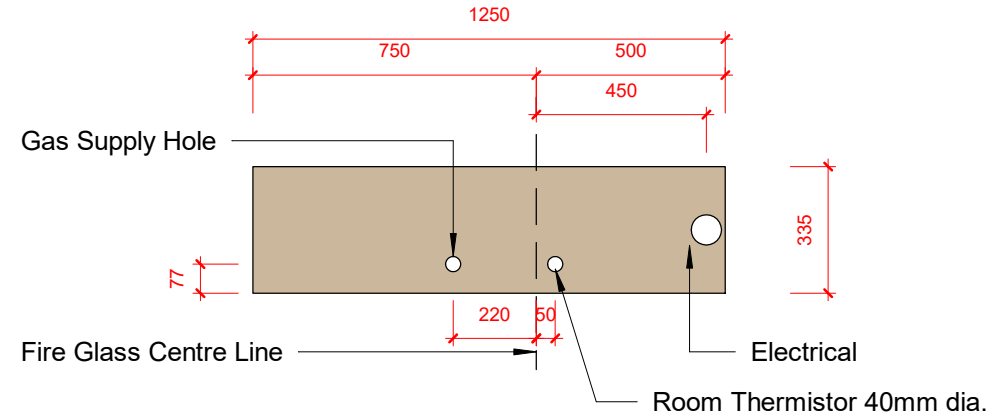
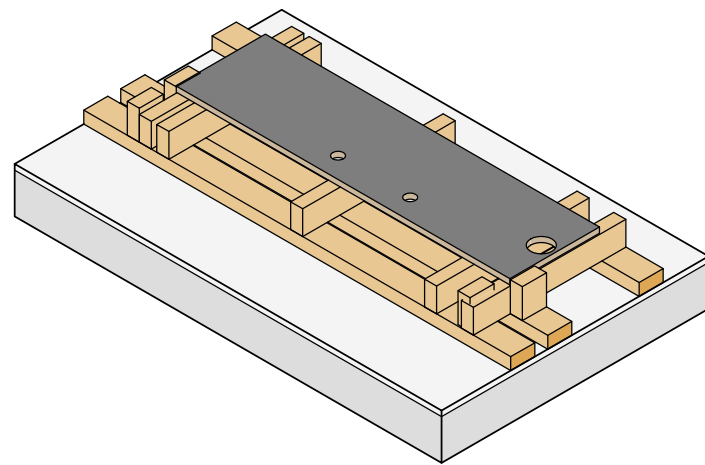


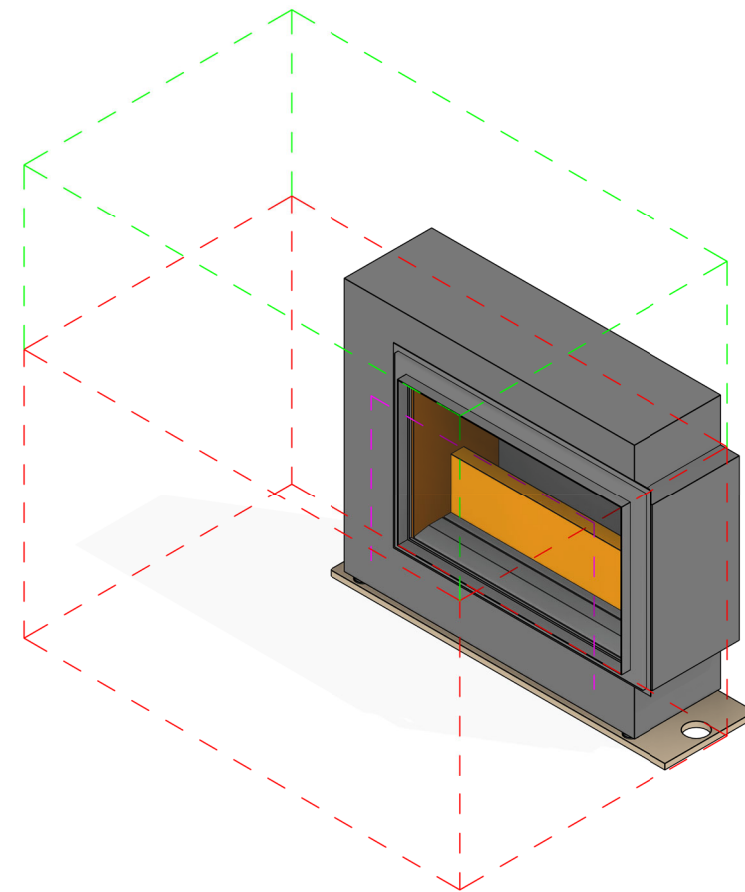
Note:
Non Combustable zones require the use of non combustable framing and linings.



Fire Platform - Plan View
1 : 20



Fire Platform



Linear Fire