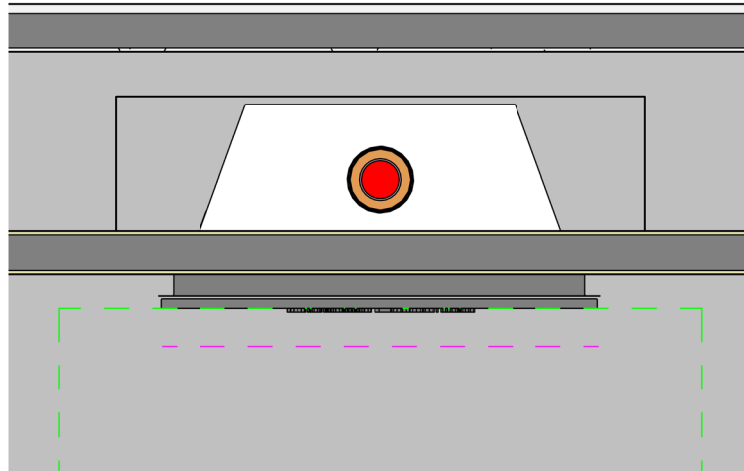
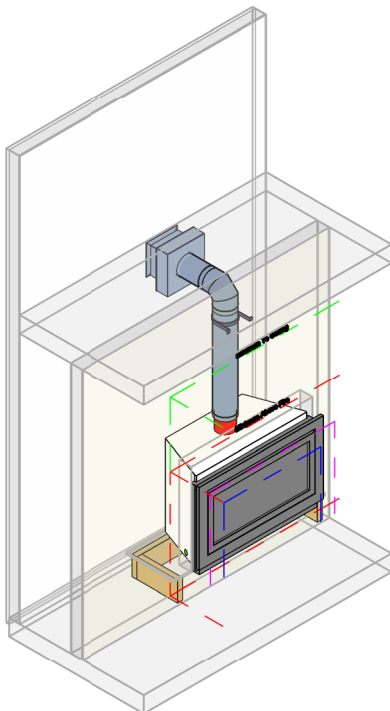


Note:

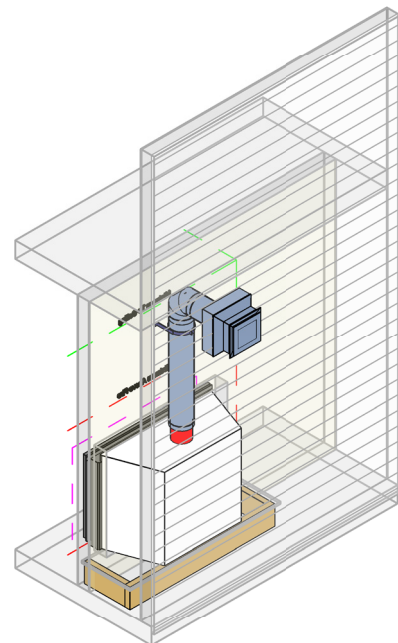
- The horizontal run of flue pipe MUST HAVE a rise of 20 mm for every 1m towards the flue terminal. Never allow the horizontal pipe to run down the flue terminal-potential fire hazard due to heat becoming trapped in the flue
- Minimum clearance from the inner flue to a combustibile material must be greater than 25 mm.
- Example shown is a Flue kit horiz.short-A (Code: 3660). Pipes cannot be cut in size
- Alternatively can be used Flue kit horiz.long-B (Code: 3661)



Plan View



Isometric View Front



Isometric View Back