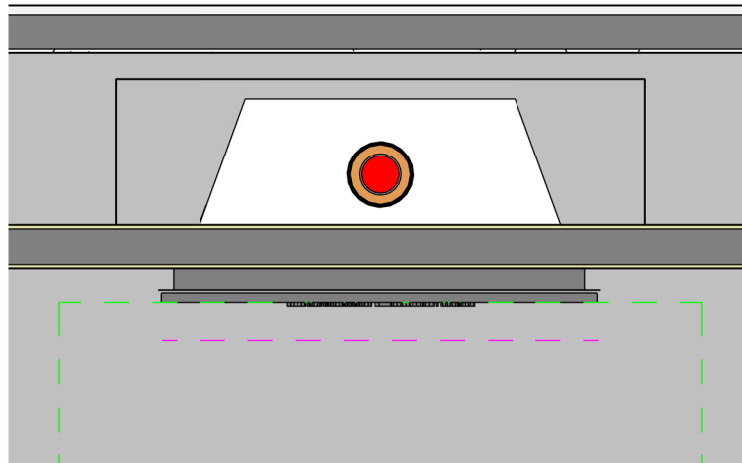


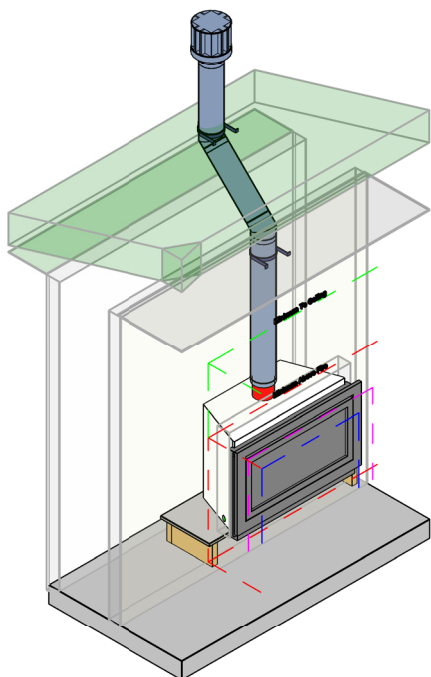
Note:

Issue: 1

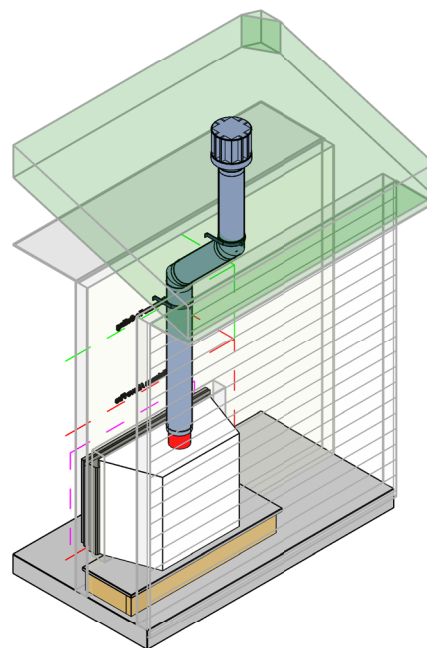
- Example shows flue termination assembly of 1x1200mm Flue pipe; 2x600mm Flue pipes; 2x Flue elbow 45°; 2xWall straps and Roof cowl
- Can be used combination of whole range of RDV3611 flue pipes. Pipes cannot be cut in size
- Maximum flue length 5.4m
- Maximum two 45° bends allowed
- Minimum clearance from the inner flue to a combustible material must be greater than 25 mm



Plan View



Isometric View Front



Isometric View Back